

DS-UPS1000 UPS



- Wide input voltage range
- Built-in AVR
- Super fast charging
- Overload and short circuit protection
- Compact design

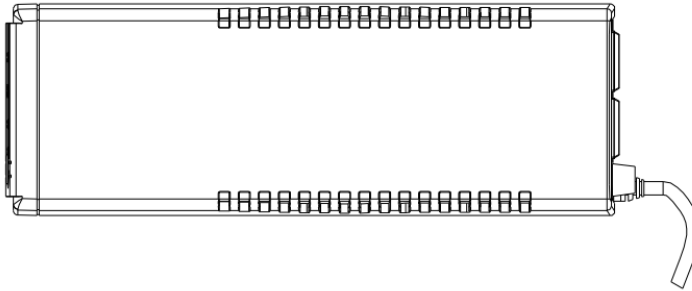
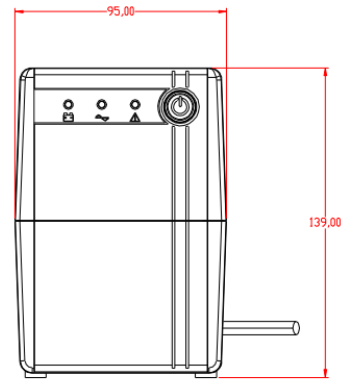
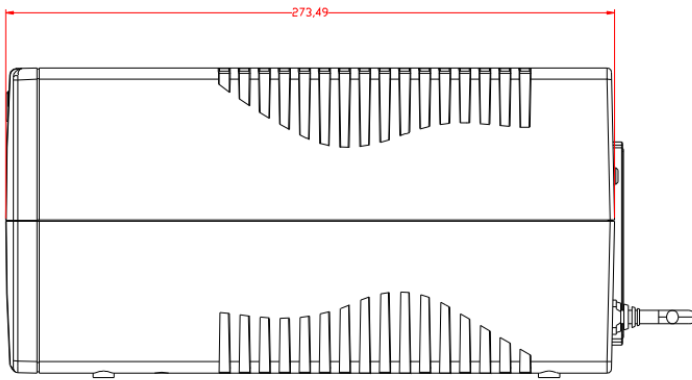
▪ Specification

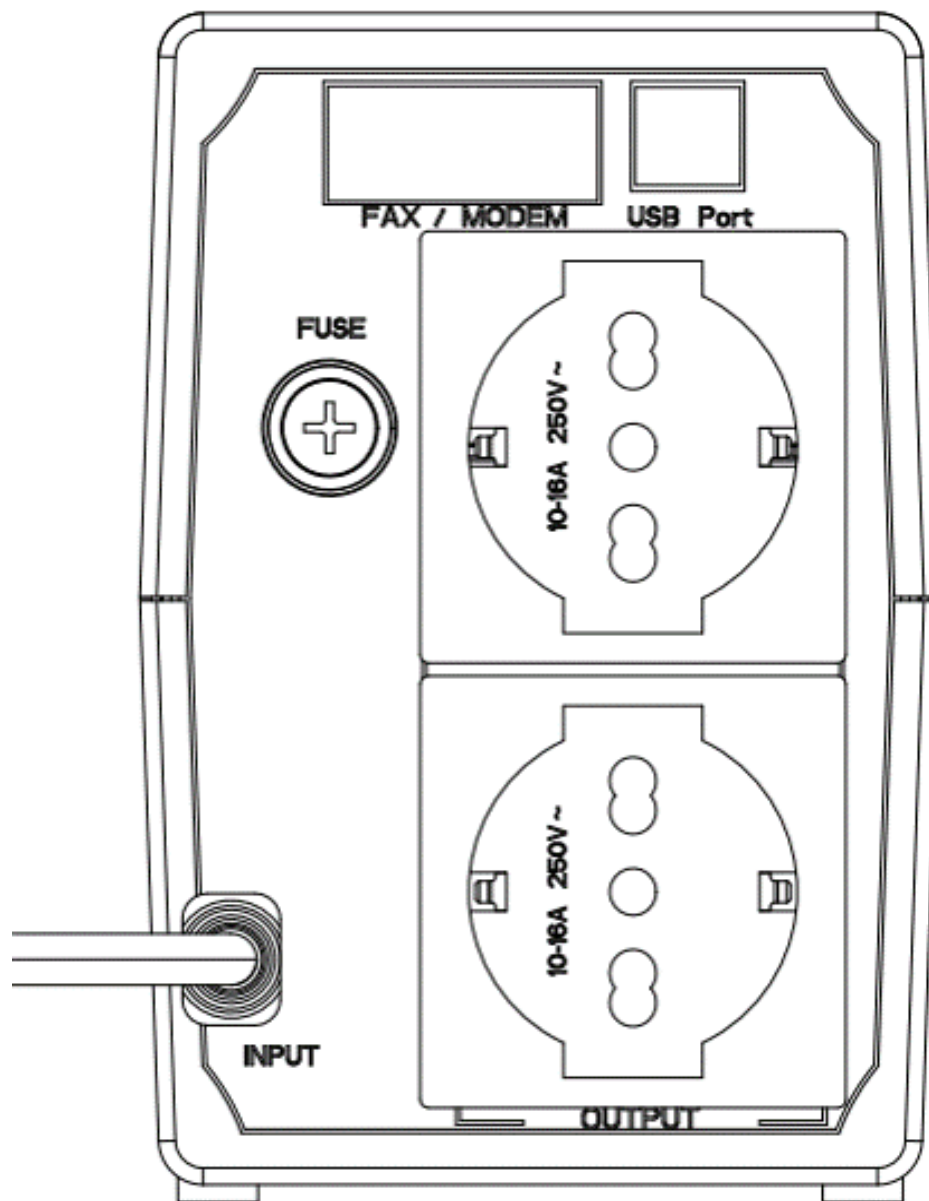
| Model | | DS-UPS1000 |
|-------------------|-----------------------|---|
| Power | UPS Capacity | 1000 VA / 600 W |
| Input | Input Voltage Range | 140 VAC to 290 VAC |
| | Input Frequency | 50/60 Hz |
| Output | Output Voltage Range | 210 VAC to 235 VAC |
| | Output Frequency | 50 Hz ± 0.5 Hz |
| | Transfer Time | ≤ 10 ms |
| | Waveform | PWM |
| Battery | Battery Type | 12 V/9 Ah |
| | Recharge Time | 4-6 hours recover to 90% capacity |
| Indicator | Display | LED indicator Working Mode (AC Mode): Solid green Charging Mode (DC Mode): Solid red Overloading Mode: Flashing yellow |
| | Alarm | Charging Mode (DC mode): Sounding every 8 seconds Low Battery: Sounding every second Overloading Mode: Sounding every 0.5 seconds Fault: Continuously sounding |
| Interface | Communicate Ports | No |
| Protection | Full Protection | Surge protection, Overload protection, Short circuit protection |
| General | Operating Temperature | 0 °C to 40 °C (32 °F to 104 °F) |
| | Operating Humidity | 30% to 90% (non-condensing) |
| | Dimension | 274 mm × 95 mm × 139 mm (10.79" × 3.74" × 5.47") |
| | Weight | Approx. 5.4 kg (11.9 lb) |

▪ Available Model

DS-UPS1000

▪ Dimension





Headquarters

No.555 Qianmo Road, Binjiang District,
Hangzhou 310051, China
T +86-571-8807-5998
www.hikvision.com



Follow us on social media to get the latest product and solution information.



Hikvision



HikvisionHQ



HikvisionHQ



Hikvision_Global



Hikvision
Corporate Channel



hikvisionhq