

## DS-7104NI-Q1 Value 7 Series NVR



### ▪ Features and Functions

- H.265+/H.265/H.264+/H.264 video compression
- Up to 40 Mbps incoming bandwidth, and 60 Mbps outgoing bandwidth
- Up to 4-ch network camera inputs
- Up to 4-ch 1080p decoding capability
- HDMI and VGA simultaneous output



### ▪ Compression and Recording

- H.265+ compression effectively reduces the storage space by up to 75%
- Full channel recording at up to 4 MP resolution

### ▪ Storage and Playback

- 2-ch@4 MP or 4-ch@1080p playback resolution
- 1 SATA interface (up to 6 TB capacity per HDD)

### ▪ Smart Function

- Supports line crossing and intrusion detection
- Smart search for the selected area in the video; and smart playback to improve the playback efficiency
- Automatically search and add network cameras after device is activated

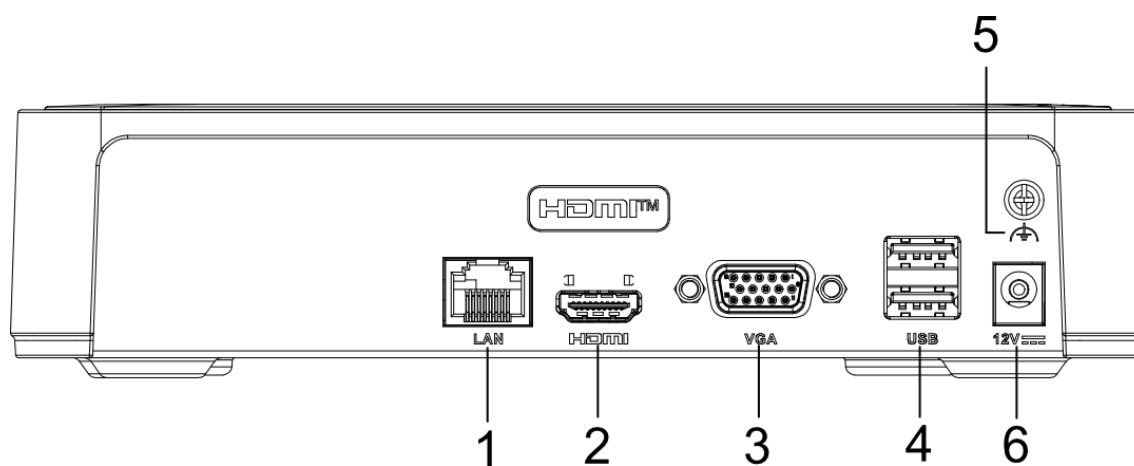
### ▪ Network & Ethernet Access

- 1 self-adaptive 10/100 Mbps Ethernet interface
- Hik-Connect for easy network management

## ▪ Specification

Video and Audio	
IP Video Input	4-ch Up to 6 MP resolution
Incoming Bandwidth	40 Mbps
Outgoing Bandwidth	60 Mbps
HDMI Output	1-ch, 1920 × 1080p/60Hz, 1600 × 1200/60Hz, 1280 × 1024/60Hz, 1280 × 720/60Hz
VGA Output	1-ch, 1920 × 1080p/60Hz, 1600 × 1200/60Hz, 1280 × 1024/60Hz, 1280 × 720/60Hz
Video Output Mode	HDMI/VGA simultaneous output
Decoding	
Decoding Format	H.265+/H.265/ H.264+/H.264
Recording Resolution	6 MP/4 MP/3 MP/1080p/UXGA /720p/VGA/4CIF/DCIF/ 2CIF/CIF/QCIF
Synchronous playback	4-ch
Decoding Capability	4-ch@1080p (30 fps) or 2-ch@4 MP (30 fps) or 1-ch@6 MP (30 fps)
Stream Type	Video, Video & Audio
Network	
Remote Connection	16
Network Protocol	TCP/IP, DHCP, Hik-Connect, DNS, DDNS, NTP, SADP, SMTP, UPnP™
Network Interface	1, RJ-45 10/100Mbps self-adaptive Ethernet interface
Auxiliary Interface	
SATA	1 SATA interface
Capacity	Up to 6TB capacity for each disk
Alarm In/Out	N/A
USB Interface	Rear panel: 2 × USB 2.0
General	
Power Supply	12 VDC, 1.5 A
Consumption	≤ 10 W
Working Temperature	-10 to +55° C (+14 to +131° F)
Working Humidity	10% to 90%
Dimension (W × D × H)	200 × 200 × 48 mm (7.9" × 8.1" × 1.9")
Weight	≤ 1 kg (2.2 lb)
Certification	
CE	EN50130-4, EN 61000-3-2, EN 61000-3-3

▪ **Physical Interface**

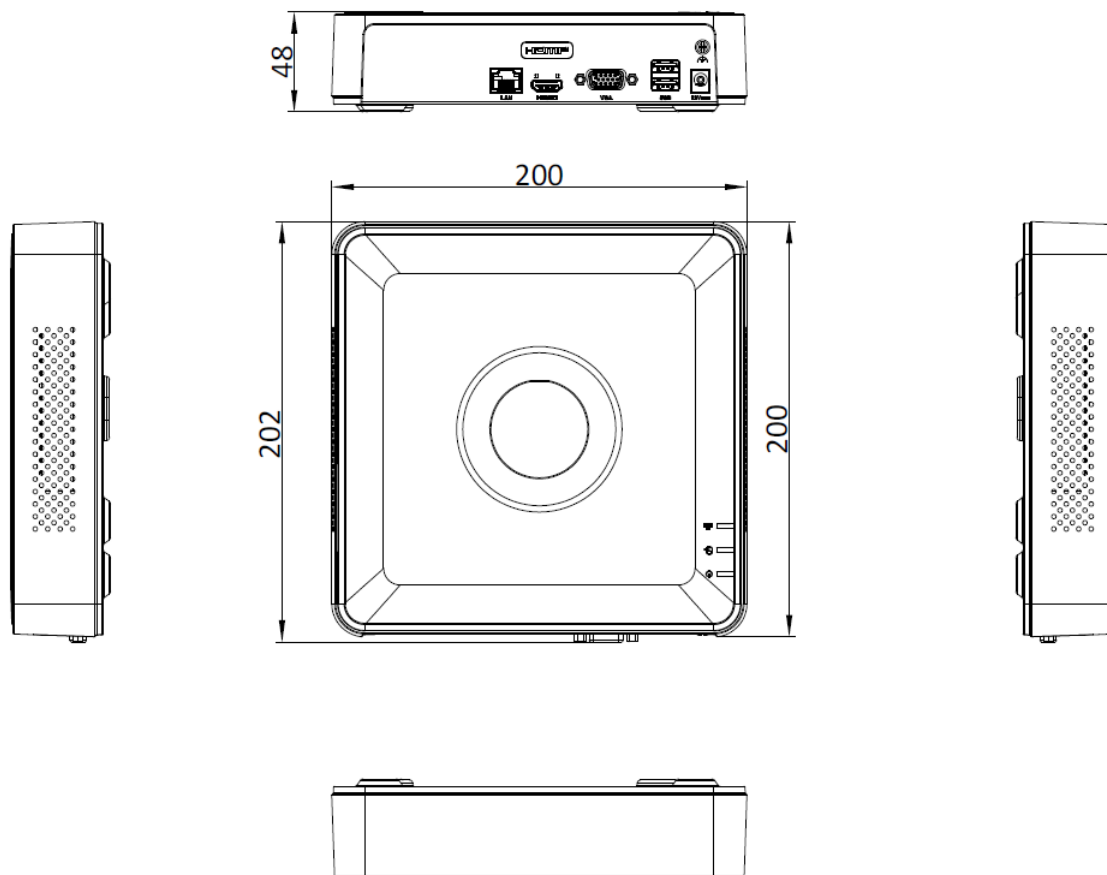


No.	Description	No.	Description
1	LAN network interface	4	USB interfaces
2	HDMI interface	5	GND
3	VGA interface	6	Power supply

▪ **Available Model**

DS-7104NI-Q1(D)

▪ Dimension



scale/1:1;Unit/mm

Headquarters

No.555 Qianmo Road, Binjiang District,  
Hangzhou 310051, China  
T +86-571-8807-5998  
www.hikvision.com



Follow us on social media to get the latest product and solution information.

