

## DS-2CD2063G2-I(U) 6 MP AcuSense Fixed Bullet Network Camera

### AcuSense



Empowered by deep learning algorithms, Hikvision AcuSense technology brings human and vehicle targets classification alarms to front- and back-end devices. The system focuses on human and vehicle targets, vastly improving alarm efficiency and effectiveness.

- High quality imaging with 6 MP resolution
- Efficient H.265+ compression technology
- Clear imaging against strong backlight due to 120 dB WDR technology
- Focusing on human and vehicle classification based on deep learning
- -U: Built-in microphone for real-time audio security
- Water and dust resistant (IP67)

## ▪ Specification

| Camera                      |  |
|-----------------------------|--|
| Image Sensor                | 1/2.4" Progressive Scan CMOS   |
| Max. Resolution             | 3200 × 1800  |
| Min. Illumination           | Color: 0.005 Lux @ (F1.6, AGC ON), B/W: 0 Lux with IR  |
| Shutter Time                | 1/3 s to 1/100,000 s   |
| Day & Night                 | IR cut filter  |
| Angle Adjustment            | Pan: 0° to 360°, tilt: 0° to 90°, rotate: 0° to 360°   |
| Lens                        |  |
| Lens Type                   | Fixed focal lens, 2.8, 4, and 6 mm optional  |
| Focal Length & FOV          | 2.8 mm, horizontal FOV 105°, vertical FOV:55°, diagonal FOV 127°<br>4 mm, horizontal FOV 78°, vertical FOV:38°, diagonal FOV 96°<br>6 mm, horizontal FOV 51°, vertical FOV:26°, diagonal FOV 59° |
| Lens Mount                  | M12  |
| Iris Type                   | Fixed  |
| Aperture                    | F1.6   |
| DORI                        |  |
| DORI                        | 2.8 mm: D: 76 m, O: 30 m, R: 15 m, I: 7 m<br>4 mm: D: 115 m, O: 45 m, R: 23 m, I: 11 m<br>6 mm: D: 164 m, O: 65 m, R: 32 m, I: 16 m  |
| Illuminator                 |  |
| Supplement Light Type       | IR   |
| Supplement Light Range      | Up to 40 m   |
| Smart Supplement Light      | Yes  |
| IR Wavelength               | 850 nm   |
| Video                       |  |
| Main Stream                 | 50 Hz: 25 fps (3200 × 1800, 2688 × 1520, 1920 × 1080, 1280 × 720)<br>60 Hz: 30 fps (3200 × 1800, 2688 × 1520, 1920 × 1080, 1280 × 720)   |
| Sub-Stream                  | 50 Hz: 25 fps (1280 × 720, 640 × 480, 640 × 360)<br>60 Hz: 30 fps (1280 × 720, 640 × 480, 640 × 360)   |
| Third Stream                | 50 Hz: 10 fps (1920 × 1080, 1280 × 720, 640 × 480, 640 × 360)<br>60 Hz: 10 fps (1920 × 1080, 1280 × 720, 640 × 480, 640 × 360)<br>*Third stream is supported under certain settings.             |
| Video Compression           | Main stream: H.265/H.264/H.264+/H.265+<br>Sub-stream: H.265/H.264/MJPEG<br>Third stream: H.265/H.264<br>*Third stream is supported under certain settings.                                       |
| Video Bit Rate              | 32 Kbps to 16 Mbps   |
| H.264 Type                  | Baseline Profile/Main Profile/High Profile   |
| H.265 Type                  | Main Profile   |
| Bit Rate Control            | CBR/VBR  |
| Scalable Video Coding (SVC) | H.264 and H.265 encoding   |
| Region of Interest (ROI)    | 1 fixed region for main stream and sub-stream  |
| Audio                       |  |
| Audio Compression           | -U: G.711ulaw/G.711alaw/G.722.1/G.726/MP2L2/PCM/MP3/AAC-LC   |

|                             |   |
|-----------------------------|---|
| Audio Bit Rate              | -U: 64 Kbps (G.711ulaw/G.711alaw)/16 Kbps (G.722.1)/16 Kbps (G.726)/16 Kbps to 64 Kbps (AAC-LC)/32 to 192 Kbps (MP2L2)/8 to 320 Kbps (MP3)  |
| Audio Sampling Rate         | -U: 8 kHz/16 kHz/32 kHz/44.1 kHz/48 kHz   |
| Environment Noise Filtering | -U: Yes   |
| <b>Network</b>              |   |
| Protocols                   | TCP/IP, ICMP, HTTP, HTTPS, FTP, DHCP, DNS, DDNS, RTP, RTSP, NTP, UPnP, SMTP, IGMP, 802.1X, QoS, IPv4, IPv6, UDP, Bonjour, SSL/TLS, PPPoE, SNMP, WebSocket, WebSockets, SRTP, SFTP   |
| Simultaneous Live View      | Up to 6 channels  |
| API                         | Open Network Video Interface (Profile S, Profile G, Profile T), ISAPI, SDK, ISUP  |
| User/Host                   | Up to 32 users. 3 user levels: administrator, operator and user   |
| Security                    | Password protection, complicated password, HTTPS encryption, 802.1X authentication (EAP-TLS, EAP-LEAP, EAP-MD5), watermark, IP address filter, basic and digest authentication for HTTP/HTTPS, WSSE and digest authentication for Open Network Video Interface, RTP/RTSP over HTTPS, control timeout settings, security audit log, TLS 1.1/1.2/1.3, host authentication (MAC address) |
| Network Storage             | NAS (NFS, SMB/CIFS), auto network replenishment (ANR)   |
| Client                      | iVMS-4200, Hik-Connect, Hik-Central   |
| Web Browser                 | Plug-in required live view: IE 10, IE 11,<br>Plug-in free live view : Chrome 57.0+, Firefox 52.0+, Edge 89+<br>Local service: Chrome 57.0+, Firefox 52.0+, Edge 89+   |
| <b>Image</b>                |   |
| Image Parameters Switch     | Yes   |
| Image Settings              | Rotate mode, saturation, brightness, contrast, sharpness, gain, white balance adjustable by client software or web browser  |
| Day/Night Switch            | Day, Night, Auto, Schedule  |
| Wide Dynamic Range (WDR)    | 120 dB  |
| SNR                         | ≥ 52 dB   |
| Image Enhancement           | BLC, HLC, 3D DNR  |
| Privacy Mask                | 4 programmable polygon privacy masks  |
| <b>Interface</b>            |   |
| Ethernet Interface          | 1 RJ45 10 M/100 M self-adaptive Ethernet port   |
| On-Board Storage            | Built-in memory card slot, support microSD card, up to 512 GB   |
| Built-in Microphone         | -U: Yes   |
| Reset Key                   | Yes   |
| <b>Event</b>                |   |
| Basic Event                 | Motion detection (human and vehicle targets classification), video tampering alarm, exception   |
| Smart Event                 | Line crossing detection, intrusion detection (support alarm triggering by specified target types (human and vehicle))<br>Face detection   |
| Linkage                     | Upload to FTP/memory card/NAS, notify surveillance center, trigger recording, trigger capture, send email   |

| General                          |   |
|----------------------------------|---|
| Power                            | 12 VDC $\pm$ 25%, 0.5 A, max. 6 W, $\varnothing$ 5.5 mm coaxial power plug, reverse polarity protection,<br>PoE: IEEE 802.3af, Class 3, max. 7.2 W  |
| Material                         | Aluminum alloy body<br>IR cover: plastic  |
| Dimension                        | $\varnothing$ 70 mm $\times$ 161.7 mm ( $\varnothing$ 2.8" $\times$ 6.4")   |
| Package Dimension                | 216 mm $\times$ 121 mm $\times$ 118 mm (8.6" $\times$ 4.8" $\times$ 4.7")   |
| Weight                           | Approx. 485 g (1.1 lb.)   |
| With Package Weight              | Approx. 744 g (1.6 lb.)   |
| Storage Conditions               | -30 °C to 60 °C (-22 °F to 140 °F). Humidity 95% or less (non-condensing)   |
| Startup and Operating Conditions | -30 °C to 60 °C (-22 °F to 140 °F). Humidity 95% or less (non-condensing)   |
| General Function                 | Heartbeat, mirror, password reset via email, pixel counter, anti-flicker  |
| Language                         | 33 languages<br>English, Russian, Estonian, Bulgarian, Hungarian, Greek, German, Italian, Czech, Slovak, French, Polish, Dutch, Portuguese, Spanish, Romanian, Danish, Swedish, Norwegian, Finnish, Croatian, Slovenian, Serbian, Turkish, Korean, Traditional Chinese, Thai, Vietnamese, Japanese, Latvian, Lithuanian, Portuguese (Brazil), Ukrainian |
| Approval                         |   |
| EMC                              | FCC (47 CFR Part 15, Subpart B); CE-EMC (EN 55032: 2015, EN 61000-3-2: 2014, EN 61000-3-3: 2013, EN 50130-4: 2011 +A1: 2014); RCM (AS/NZS CISPR 32: 2015); IC (ICES-003: Issue 6, 2016); KC (KN 32: 2015, KN 35: 2015)  |
| Safety                           | UL (UL 60950-1); CB (IEC 60950-1:2005 + Am 1:2009 + Am 2:2013); CE-LVD (EN 60950-1:2005 + Am 1:2009 + Am 2:2013); BIS (IS 13252(Part 1):2010+A1:2013+A2:2015)   |
| Environment                      | CE-RoHS (2011/65/EU); WEEE (2012/19/EU); Reach (Regulation (EC) No 1907/2006)   |
| Protection                       | IP67 (IEC 60529-2013)   |

## ▪ Typical Application

Hikvision products are classified into three levels according to their anti-corrosion performance. Refer to the following description to choose for your using environment.

This model has NO SPECIFIC PROTECTION.

| Level                  | Description  |
|------------------------|--|
| Top-level protection   | Hikvision products at this level are equipped for use in areas where professional anti-corrosion protection is a must. Typical application scenarios include coastlines, docks, chemical plants, and more.   |
| Moderate protection    | Hikvision products at this level are equipped for use in areas with moderate anti-corrosion demands. Typical application scenarios include coastal areas about 2 kilometers (1.24 miles) away from coastlines, as well as areas affected by acid rain. |
| No specific protection | Hikvision products at this level are equipped for use in areas where no specific anti-corrosion protection is needed.  |

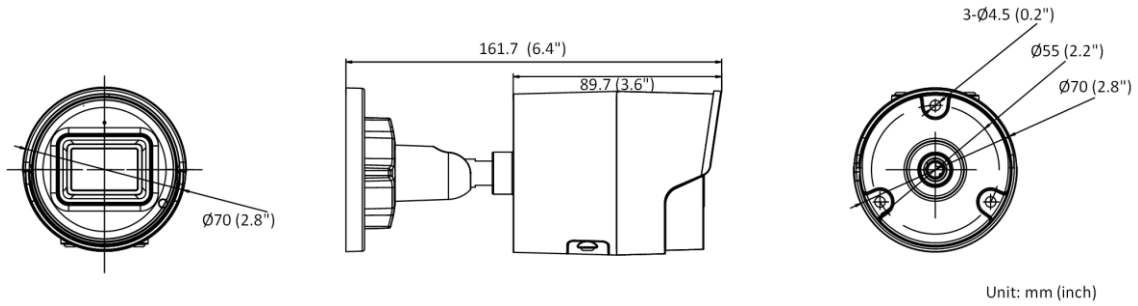
▪ **Available Model**

DS-2CD2063G2-I (2.8/4/6 mm)

DS-2CD2063G2-IU (2.8/4/6 mm)


DS-2CD2063G2-IU (2.8 mm) (Black)

▪ **Dimension**



▪ **Accessory**

▪ **Optional**

| <b>DS-1280ZJ-XS</b><br><b>Junction Box</b>  | <b>DS-1280ZJ-XS</b><br><b>(Black)</b><br><b>Junction Box</b>                         |
|---|--|
|  |  |

*\*Please choose accessories of the same color as the camera.*

**Headquarters**

No.555 Qianmo Road, Binjiang District,  
 Hangzhou 310051, China  
 T +86-571-8807-5998  
 www.hikvision.com



Follow us on social media to get the latest product and solution information.

